


PRODUCT SHEET

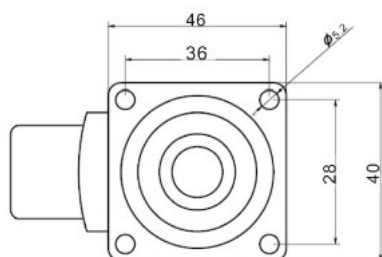
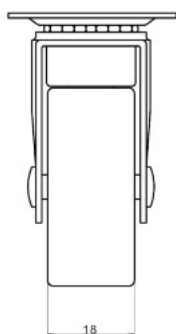
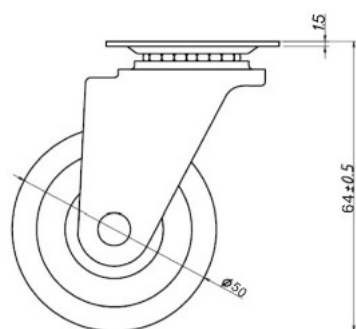
Description:

Fork Castor "Nero" $\varnothing 50\text{mm}$, W/Top PL 46x40mm, MH 64mm, Soft Rubber Track, Loading Capacity 30kg., cc: 36x28mm

Item number:

08.12.384-0

| Units | Box | Carton | HS Code | Barcode |
|-------|-----|--------|------------|--|
| Pcs. | 1 | 250 | 8302200090 |  |
| | | | | 5704866516044 |



SISO A/S

Mileparken 11
DK-2740 Skovlunde
Denmark
VAT: DK 24786013

Phone +45 45 830 900

www.siso.dk
siso@siso.dk

Danske Bank
Nytorv Branch
Copenhagen
SWIFT: DABADKKK

Account no.
4180 3112 112936
IBAN Account
DK7230003112112936